

1 2 3 4 5 6 7 8

A A

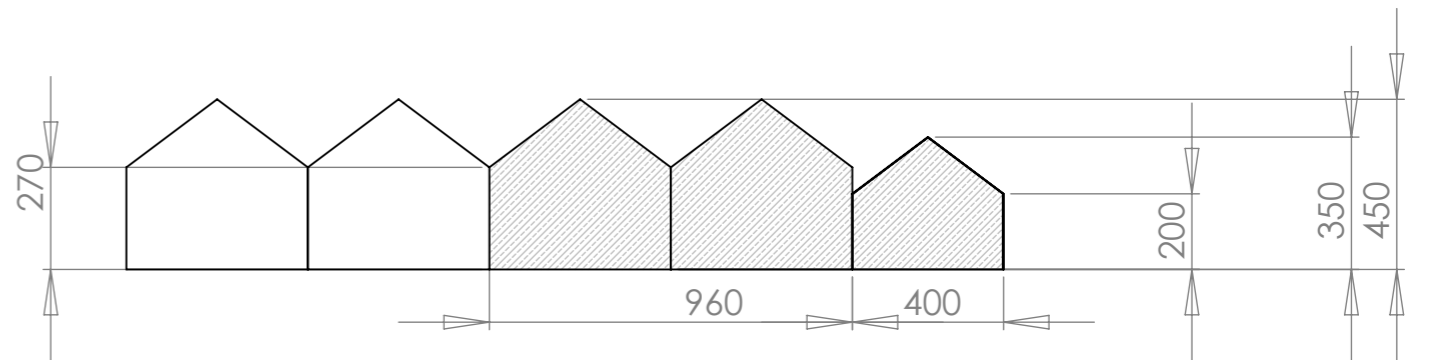
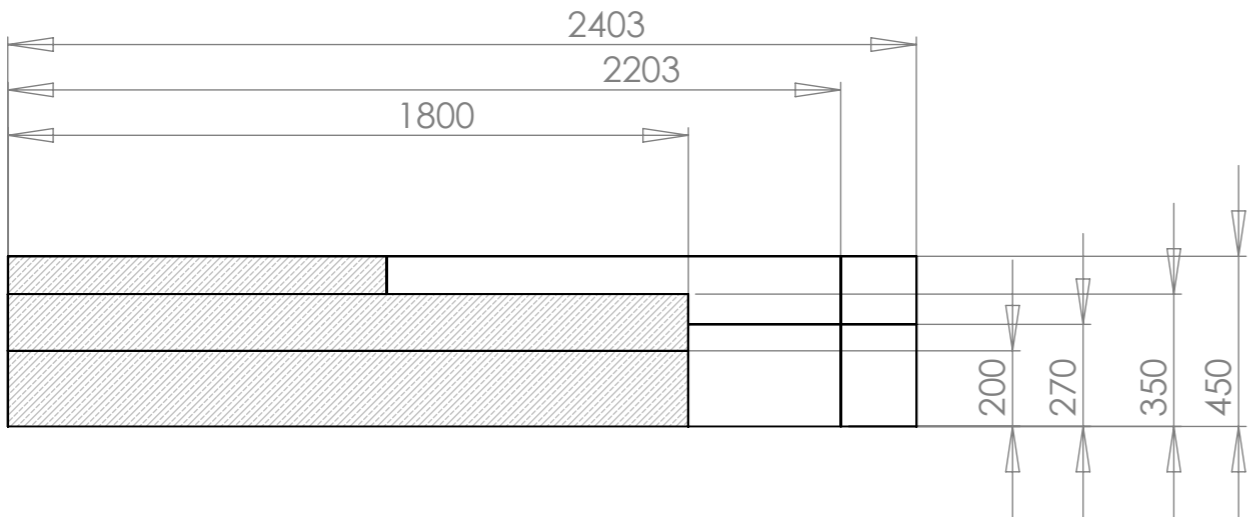
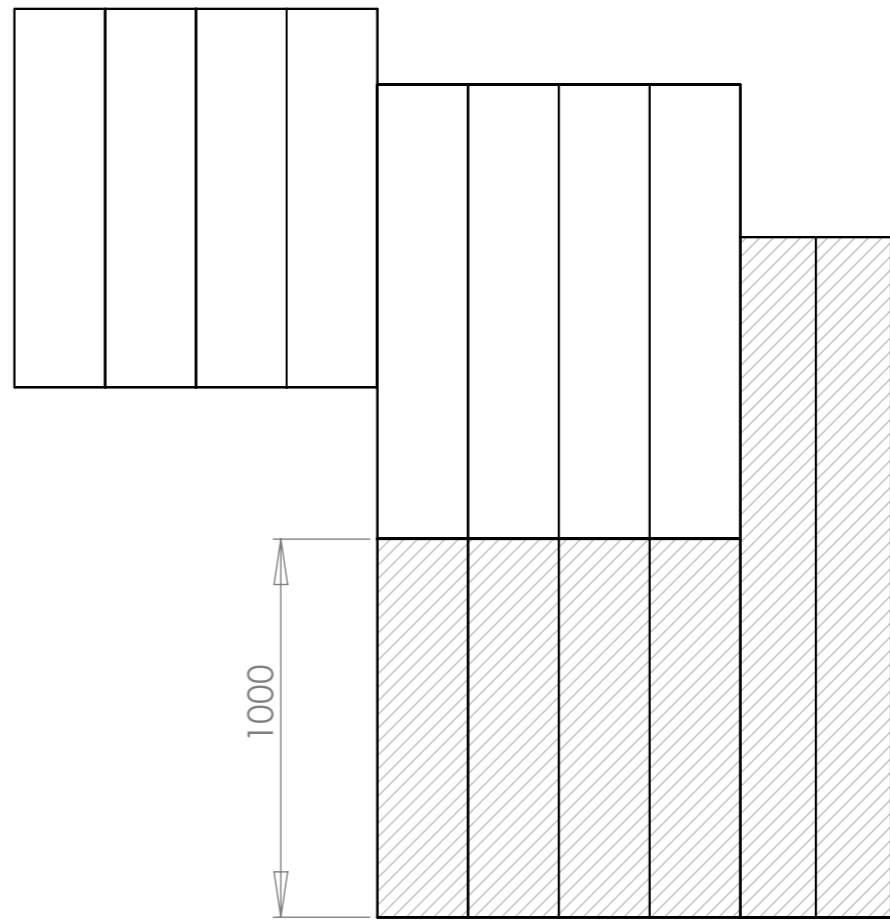
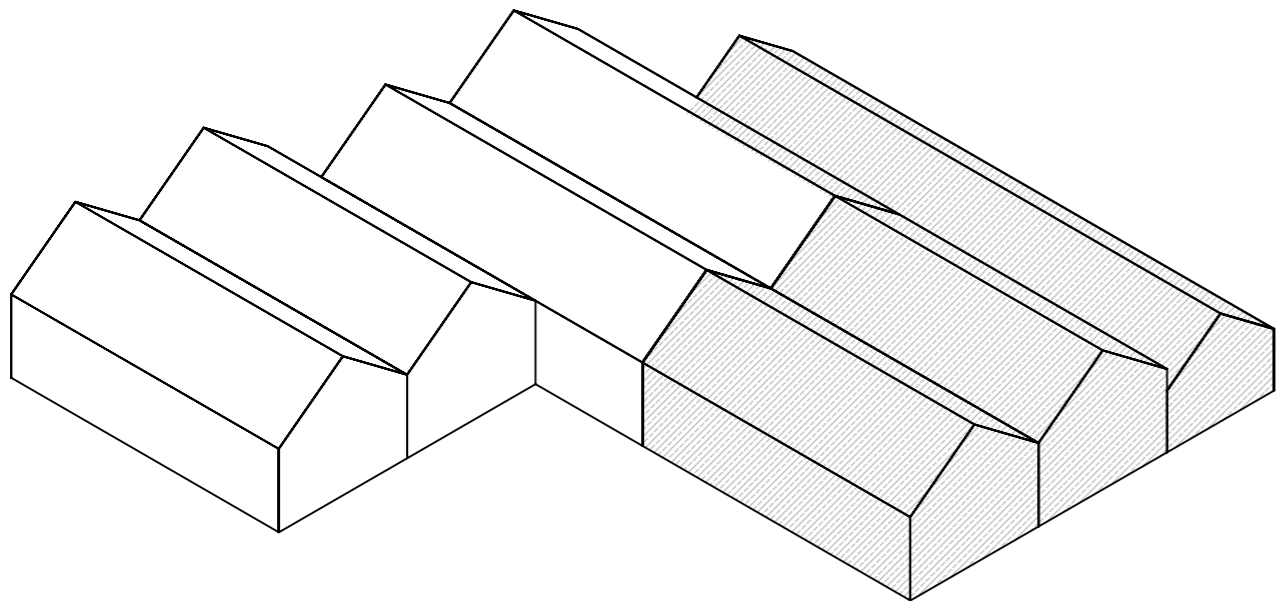
B B

C C

D D

E E

F F



UNLESS OTHERWISE SPECIFIED: DIMENSIONS ARE IN MILLIMETERS SURFACE FINISH: TOLERANCES: LINEAR: ANGULAR:		FINISH:		DEBUR AND BREAK SHARP EDGES		DO NOT SCALE DRAWING		REVISION	
DRAWN		SIGNATURE		DATE		TITLE:			
CHK'D									
APPV'D									
MFG									
Q.A						MATERIAL:		DWG NO.	
								nytklubhusmåltegning	
						WEIGHT:		SCALE:1:200	
								SHEET 1 OF 1	

1 2 3 4